

ANFIM[®]

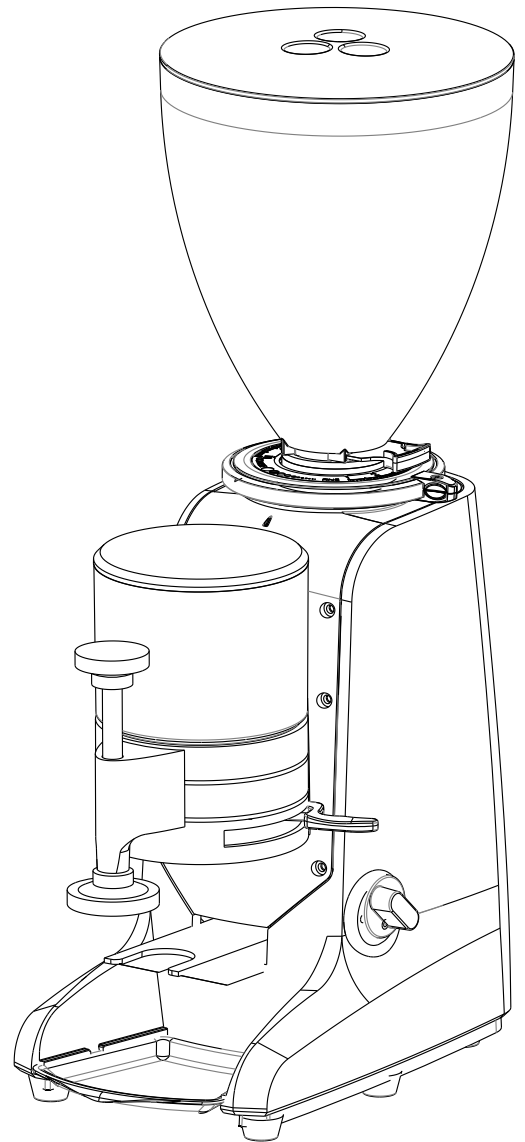
ANFIM Srl

Via B. Verro, 33/5 - 20141 - MILANO ITALY
Tel. (+39) 02/8465054 - Fax. (+39) 02/8464401
e-mail: info@anfim.it web site: www.anfim.it

GB ● INSTRUCTIONS MANUAL

mod.: **Caimano - II**

Timer / **A**utomatic / **M**anual

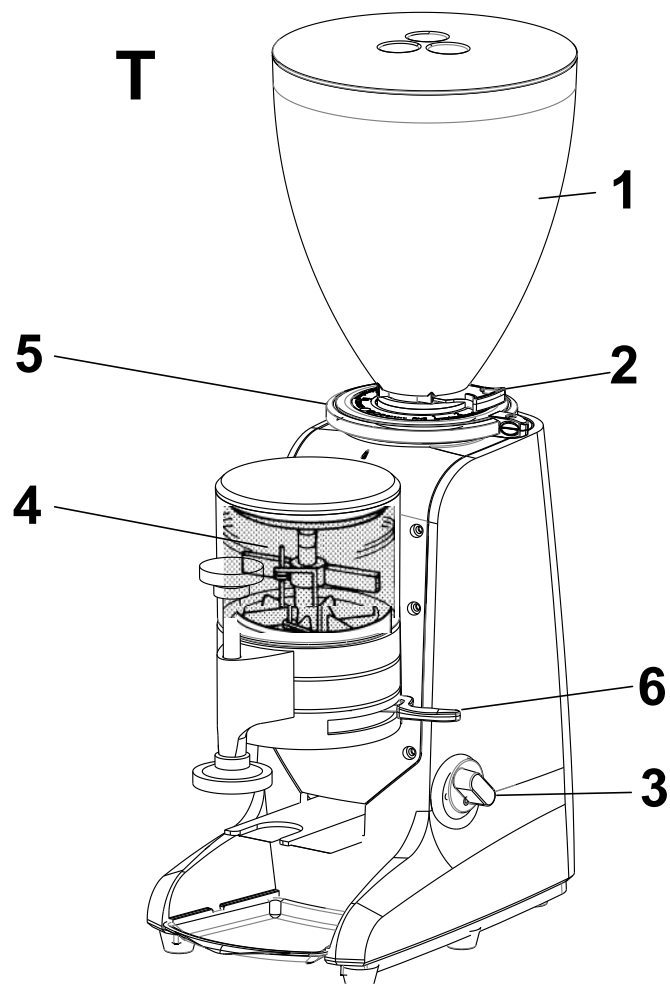
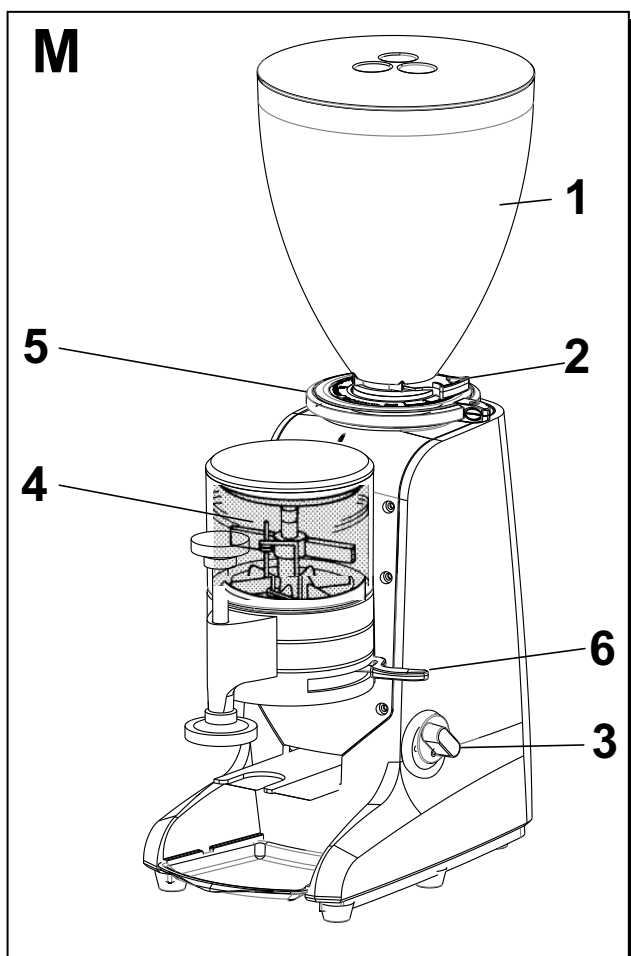
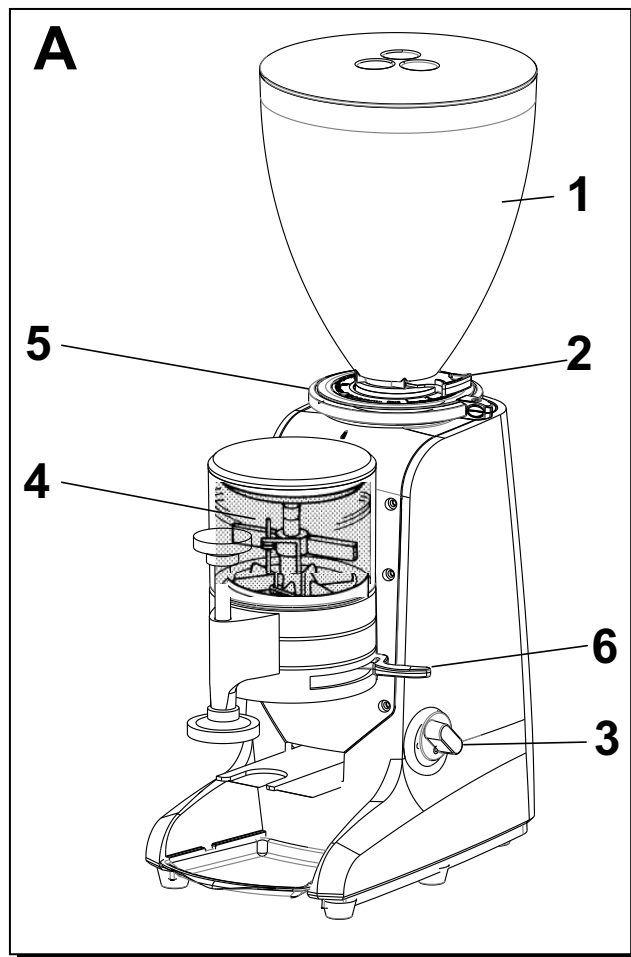


● COFFEE GRINDER DISPENSER

CE

Mod.: Caimano - II

- **Timer** (T)
- **Automatic** (A)
- **Manual** (M)



1. General instructions

Read this instruction booklet carefully before using the coffee grinder.

The installation of the coffee grinder must be done by qualified personnel.

The firm cannot be held responsible for changes made by the user to the appliance and for accidental damages arising from installations and/or utilizations different from those mentioned in this instructions.

The producer reserves the right to change without notice the characteristics of the equipment presented in this instructions.

1.1 Appropriate use

The coffee grinder with dosing mechanism has been studied and constructed to grind and dose coffee.

1.2 Improper use

Any kind of use apart from what has been indicated in paragraph 1.1 is improper and therefore unauthorized; the manufacturer refuses all responsibility for damages arising from improper use of the coffee grinder described in this instruction booklet.

1.3 Safety standards

Do not use the coffee grinder without locking the bean hopper to the centre flange by means of the safety screw.

Always unplug the coffee grinder before cleaning.

➔ **Do never immerse the coffee grinder in water and/or other liquids.**

➔ The device should not be used by people (including children) with reduced, sensory or mental capabilities, or lack of experience and knowledge, unless they are carefully supervised/monitored and instructed;

- Do not allow children to play with the appliance.

- This appliance can be used by children aged over 8 years if they have supervision or are given instruction on the proper use of the appliance so usage can be considered safe and they understand possible risks involved.

- Cleaning and maintenance should not be performed by children unless they are older than 8 years and carefully supervised.

- Keep the appliance and electrical cords out of reach of children, at all times especially if less than 8 years old.

2. Transport

2.1 Packaging



The **ANFIM** coffee grinder with dosing mechanism is supplied in a special cardboard package; each package contains:

Coffee grinder with dosing mechanism, Instruction booklet, Evidence of conformity

2.2 Handling of the appliance

The coffee grinder with dosing mechanism does not need any special tools for its usage because it can be operated manually.



3. Description of the appliance

3.1 Description of the appliance

The coffee grinder has been developed and built to comply with a modern environment of a coffee shop making life easy and convenient for the barista to grind and dose coffee into a porta-filter in order to prepare a cup of coffee.

Description:

Case housing powder coated.

Hardened steel grinding discs (optional with titanium coating).

Hopper for coffee beans.

Dosing device with manual dosing mechanism.

Power supply in conformity with the 2006/95/EEC Directives.

Automatic refilling device (Auto-Version only)

- 1 - Coffee bean hopper.
- 2 - Hopper slide.
- 3 - TIMER switch (TIMER model only).
- 3 - ON/ OFF switch (AUTOMATIC and MANUAL mod.).
- 4 - Dose adjusting pin
- 5 - Adjustment grind setting.
- 6 - Dosing lever.

3.2 Emergency stop controls

In compliance with the specifications indicated in the EN 418 standard, the coffee grinder is not equipped with an emergency stop because this function is executed by the ON/OFF switch (3).

TIMER switch (TIMER mod.) and by general switch ON/OFF (only for MANUAL and AUTOMATIC mod.).

3.4 Table of specifications:

TYPE	CAIMANO - II
Height:	635 mm
Width:	215 mm
Depth:	340 mm
Power:	300 W
Noise level:	<70 dB(A)
Blades diameter:	64 mm
Weight	15 Kg

4. Installation of the appliance

4.1 Installation of the appliance

The coffee grinder must be placed on a flat, steady, and dry surface.

4.2 Connecting the appliance to the mains

After checking that the electrical supply voltage is the same as that indicated on the machine's identification plate:

1-Phase 220 V version

The coffee grinder is supplied with electric cord with a type-approved plug. The only operation required is the connection to an electric socket dimensioned for the absorption of the coffee grinder (rated in 15 A max.).

3-Phase 380 V version

The coffee grinder is supplied with electric cord without plug: the installer must connect the cable terminals to an electrical terminal board dimensioned for the absorption of the coffee grinder (rated in 15 A max.).

WARNING: The electric installation to which the coffee grinder will be connected must be in compliance with the law in force: The manufacturer refuses all responsibility for damages and injuries to persons that might occur due to improper installation and/or improper electric power installation not in compliance with local safety standards.

5. Using the appliance

5.1 Instructions for use

- A)** Fill the hopper with fresh coffee beans (the maximum capacity of the hopper is about 1.2 kg).
- B)** Open the hopper slide.
- C)** Turn the TIMER switch lightly clockwise (TIMER model).
 - C1)** Turn the general ON/OFF switch on;
 - C2)** Turn the general ON/OFF switch on; (AUTOMATIC model)
When the doser is full an automatic device will stop the coffee grinder. Now the coffee grinder is ready for operation. The automatic doser refilling device will restart grinding again after 6 shots. (AUTOMATIC model).

D) A general calibration process of the blades is done at the factory. In any case, you can adjust the grind setting as follows:

- 1) Turn the adjustment nozzle clockwise to set the grind coarser, turn counter clockwise set the grind finer.
Remember that the correct grind setting depends on the type of coffee beans, roasting degree, as well as on the weather conditions. If the air is dry, adjust a little finer – while if it is humid, adjust coarser.

The coffee grinder is adjusted at the factory for an optimum dose of ground coffee that corresponds to about 6.7 grams.

In order to get the best performance, it is necessary to check the grind setting and the dosing regularly by following the instructions stated in paragraph 6.3 of this booklet.

5.2 Instructions for Emergency Stop

In case of emergency, turn-off the switch counter-clockwise and the coffee grinder stops immediately.

6. Maintenance

6.1 Safety standards

WARNING: Disconnect the coffee grinder from the mains before performing any maintenance operation.

Do not insert fingers or other objects in the entry hole of the blades or in the outlet of the ground coffee.

Do not put already ground coffee in the hopper.

Do not immerse the coffee grinder in water and/or other liquids (solvents, detergents, and so on).

In any case, always refer to the Customer Service Centre of ANFIM.

6.2 Appliance cleaning

WARNING: Disconnect the coffee grinder from the mains before cleaning.

Do never immerse the coffee grinder in water and/or other liquids.

Regular cleaning once a week helps to preserve the unique aroma and taste of your espresso and to avoid accumulation of oils and coffee dust in the hopper and on the grinder.

Cleaning instructions:

- 1) Disconnect the coffee grinder from the mains.
- 2) Clean the (empty) hopper internally and externally with a dry and soft cloth.
- 3) Clean the inside of the doser with dry and soft cloth. If needed, use foodgrade detergent to remove oily particles.
- 4) Clean the body of the coffee grinder with a soft & dry cloth
- 5) Connect the coffee grinder to the mains.

6.3 Scheduled inspections

It is recommended to check the grinder at least once every 6 months to make sure it performs the best possible way ensuring a perfect grind and dosing consistency.

Contact your nearest authorised Anfim Service Centre for more information.

- a) Check grind setting and adjust 2-3 a day, if necessary.
- b) Ask your nearest Anfim service dealer to check the grinding discs for wear & tear and have them replaced after grinding 500-600kg. (Anfim steel discs).
- c) Ask your nearest Anfim service dealer to check for regular wear & tear and to replace worn parts, in case of need.

Check regularly the adjustment of the dosing unit in the following way:

- 1) Start the coffee grinder and fill the dosing container with ground coffee. Pull ten shots from coffee doser, weigh them and calculate the average gr./shot.
- 2) If the average quantity does not correspond to the dose you want, turn the black adjusting pin in the dosing mechanism (clockwise to decrease- and counter-clockwise to increase the dose).

A complete turn of the dosing pin (four click releases) increases or decreases the dose of ground coffee for about 0.7 grams/shot.

7. Appliance Disposal

This device, like all electrical products, must be disposed of separately from municipal sorted waste, at specific collection points designated by the local council.



8. Servicing

8.1 Instructions for service request

All technical interventions must only be performed by authorized personnel of Anfim or one of its authorised service dealers.

ANFIM Via B. Verro, 33/5 – 20141 MILANO
Tel. (+39) 02/8465054 - Fax. (+39) 02/8464401
e-mail: info@anfim.it - web site: www.anfim.it

- GB - DECLARATION OF CONFORMITY

The undersigned **ANFIM** srl, Via B. Verro 33/5, 20141 - Milan, declares, on its own responsibility that the coffee grinder with dosing mechanism,



Model Serial-number

to which this declaration refers, is in compliance with the following standards or other corresponding documents: **EN 55014-1:2006 + A1:2009 + A2:2011; EN 55014-A2:2015; EN 61000-3-2:2014; EN 61000-3-3:2013; EN ISO 12100; IEC 60335-2-64; IEC 60335-1** according to what is provided for by the 2006/42/CEE directive.

MILAN, 30 March 2017

ANFIM Srl